

PARTY TENT

10' x 20' x 9'2" (3 x 6 x 2.8 m)

ASSEMBLY MANUAL

Model NO.: 1934795



Tools required for assembly (not included)

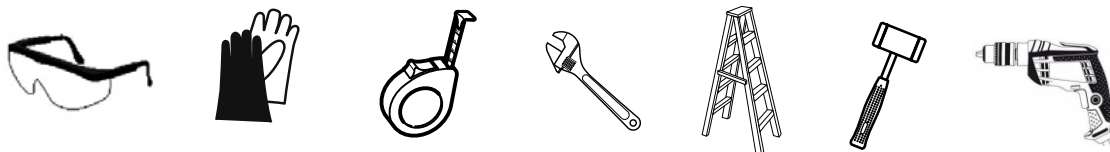


TABLE OF CONTENTS

IMPORTANT SAFETY INSTRUCTIONS	2
INTENDED USE	2
PARTS LIST.....	3-4
ASSEMBLY PREPARATION	4
ASSEMBLY	5-11
IMPORTANT NOTICE	12

IMPORTANT SAFETY INSTRUCTIONS

WARNING!



- Read all safety instructions to reduce the risk of injury or death.
- This is a temporary structure and is not recommended as a permanent structure.

- Choose your shelter's location carefully. Check for overhead utility lines, branches, etc. DO NOT install near roofs or other structures that may shed snow, ice or excessive run-off onto your shelter. Keep away from electrical wires!
- Install your shelter on a level surface.
- Check municipal by-laws prior to setting up the product.
- Have an overview of all parts before attempting installation. Make sure all components are available.
- DO NOT use this product in environments for which it is not intended (i.e. extreme cold, high winds, extreme heat, heavy rainfall, etc).
- Always wear safety glasses when assembling this product. Wear gloves when working with tubing to prevent cuts or abrasions.
- **CAUTION:** Anchors must be used with all shelters. Covers should NOT be installed on any product until it has been properly anchored to the ground.
- Proper anchoring and keeping cover tight and free of snow and debris, is the responsibility of the consumer. Damages caused by improper anchoring are not covered under warranty.
- **WARNING:** Keep all flame and heat sources away from the shelter fabric. The fabric will burn if left in continuous contact with a flame source.
- DO NOT use open flames or cooking or heating devices inside or in close proximity to the product, including all types of stoves, gas heaters, gas lanterns, citronella torches, mosquito coils, etc.
- **WARNING:** In order to reduce risk of burning and avoid damage, DO NOT:
 - cook, smoke, refuel or use any open flame devices in or around the shelter.
 - store flammable liquids (gasoline, kerosene, propane, etc.) in the shelter.
 - operate gas powered vehicles/equipment in or around the shelter.
- Keep open flames a safe distance away from the shelter.
- DO NOT use hard-edged tools or instruments, such as rakes or shovels, to remove snow. These can cause punctures to the cover.
- NEVER start the engine of any vehicle or machine inside a closed shelter. Ensure that there is adequate ventilation for starting engines and for any work with paints, cleaners, etc.
- This shelter is NOT designed to support heavy snow or ice loads. Snow or ice accumulation may cause your shelter to collapse. To avoid overload, brush snow and ice off the roof top with a broom or mop.
- To prevent collapse, damage to property, personal injury and/or death, NEVER clear the roof of snow or debris from inside the shelter.
- DO NOT use bleach, alkaline or harsh detergents for cleaning. Doing so will damage the polyethylene material. Soap and warm water are recommended.


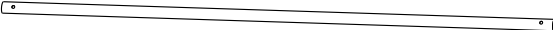


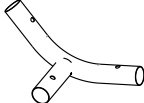
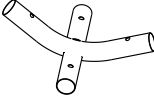


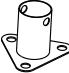






IMPORTANT! READ CAREFULLY AND RETAIN FOR FUTURE REFERENCE



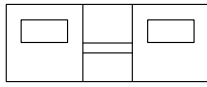
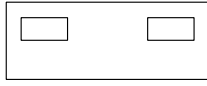
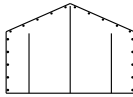
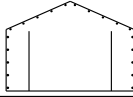




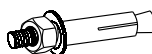
INTENDED USE

This temporary shelter is intended to offer protection from damages caused by the sun, light rain, light snow, tree sap, bird and animal excrement. Do not use it to shield goods from high winds, heavy snow or ice storms. Only use it for its intended use.

PARTS LIST

Part#	Description	Drawing	Qty.
1	Incline Bar		8
2	Horizontal Tube		9
3	Post Tube		6
4	Post Tube 1		2
5	3-Way Connector		6
6	4-Way Connector		6
7	Awning Arm		2
8	Awning Front Girder		1
9	Foot Plate		8
10	M6X16 Bolt		4
11	M6X30 Bolt		2
12	Pin		2
13	Handle Bolt		8

PARTS LIST

Part#	Description	Drawing	Qty.
14	M8 Nut		8
15	Roof Cover		1
16	Side Panel with Door		1
17	Side Panel without Door		1
18	Front Door Panel		1
19	Back Door Panel		1
20	Ball Tie Down		50
21	Ground Stake		12
22	Nylon Rope		4
23	Allen Wrench		1
24	Expansion Bolt		8

ASSEMBLY PREPARATION

- Place all parts from the packaging box in a cleared area and arrange them on the ground in front of you.
- Remove all packaging materials and place them back in the box. Do not dispose of the packaging materials until assembly is complete.
- Check for completeness and transport damages.

WARNING!

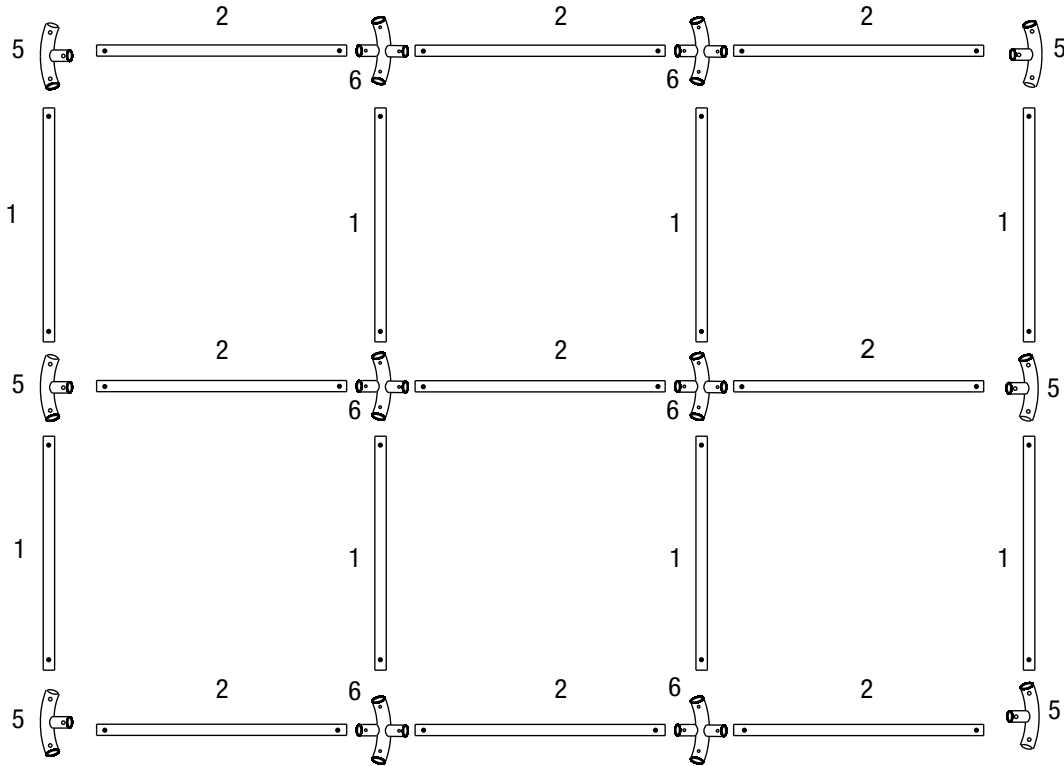


- Do not place the product under trees from which hard fruit such as apples, walnuts or heavy pine cones, etc., may fall. The shed's cover only protects against normal leaves and light debris, whereas large branches or other falling items may puncture or tear the cover material.
- Keep children away during assembly. This product contains small parts which can be swallowed by children.
- Do not attempt to assemble the product if any parts are missing.
- At least 2 people are needed to complete the assembly as some of the steps require heavy lifting.

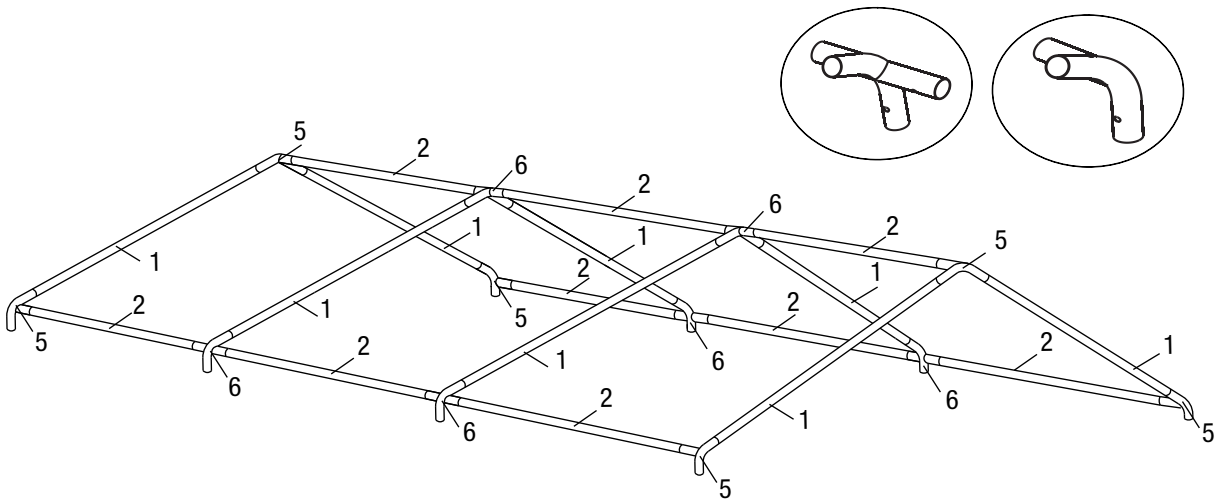


Step 1

- Lay out the roof frame parts as shown below.
- Please note:
The Parts #2 are used to form the side and peak.
The Parts #1 are used to form the roof rafter.

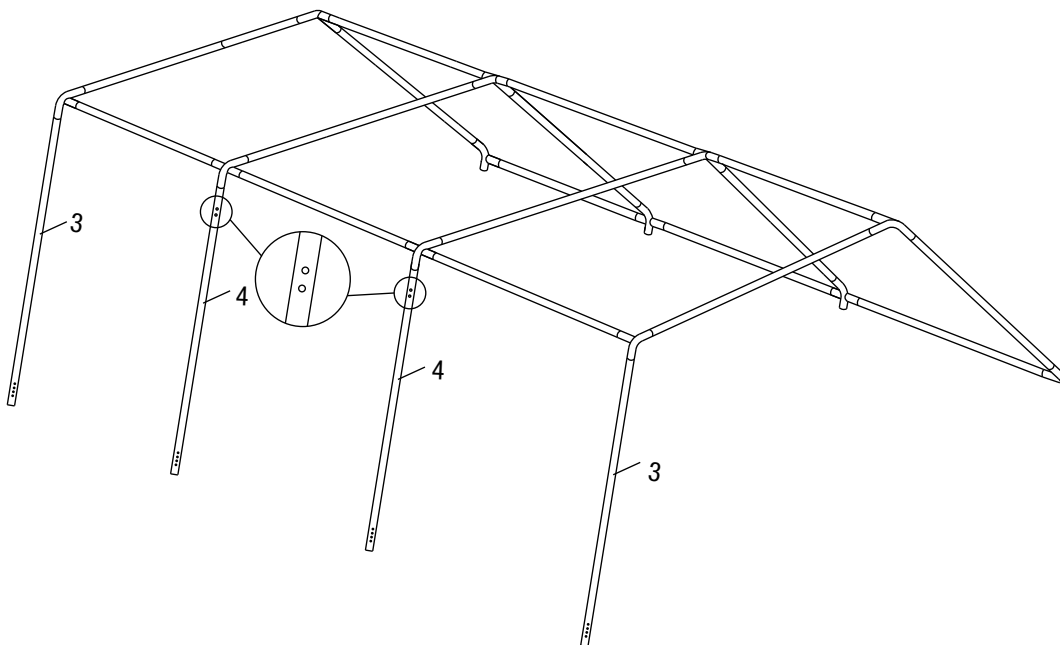


- Start with the center and complete the center frame first. Then assemble each side.

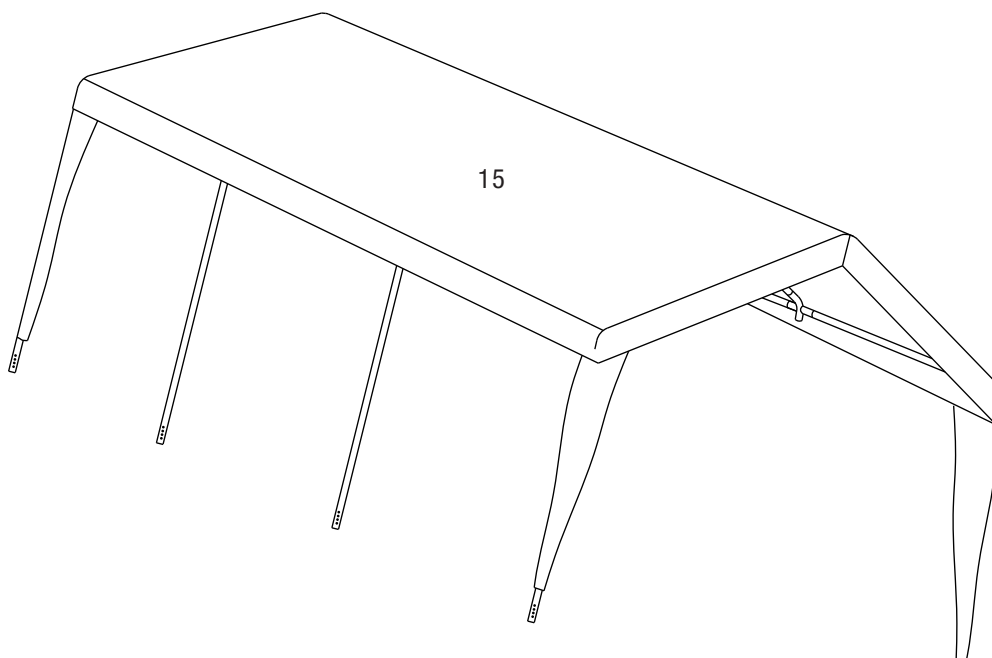


Step 2

- Connect 4 legs of one side to the 4-way and 3-way connectors.
Note: Post Tubes #4 are designed for side panel with door, so please choose the right position for Post Tube #4.
Please also note that there are holes on Post Tube #4 and they should be assembled as shown below.

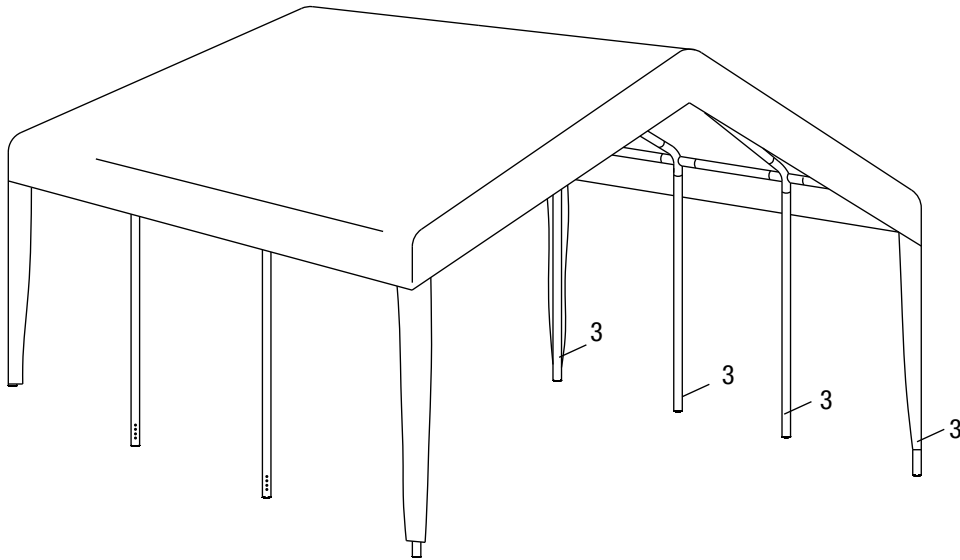
**Step 3**

- Unfold the cover with the grommets toward the cover's bottom and place the cover over the frame. The flared edges should be located at each of the 4 corners of the frame.



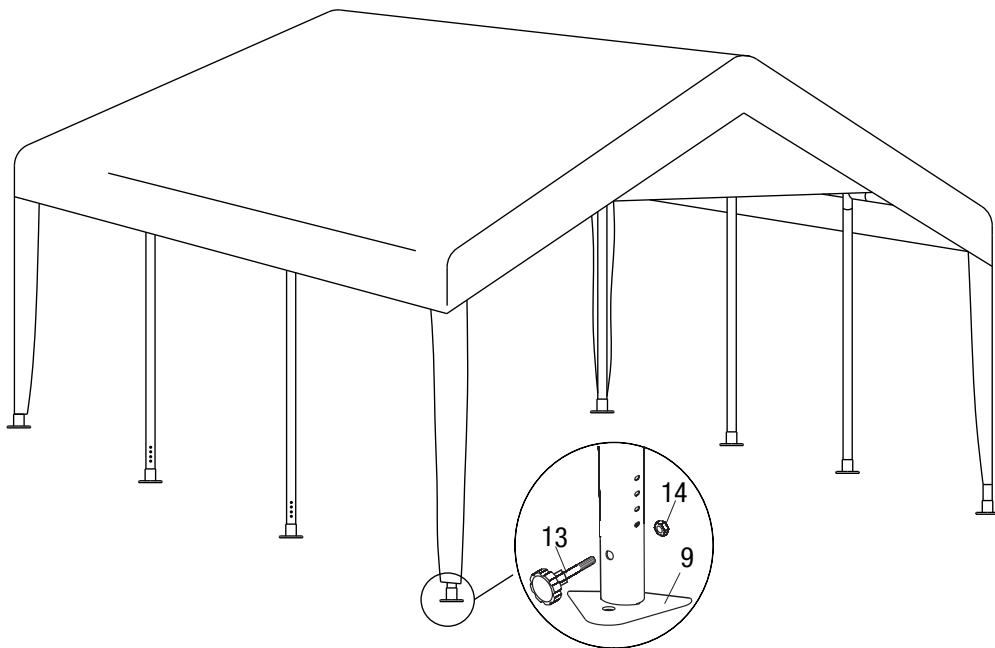
Step 4

- Connect the other 4 legs for the other side the same way.



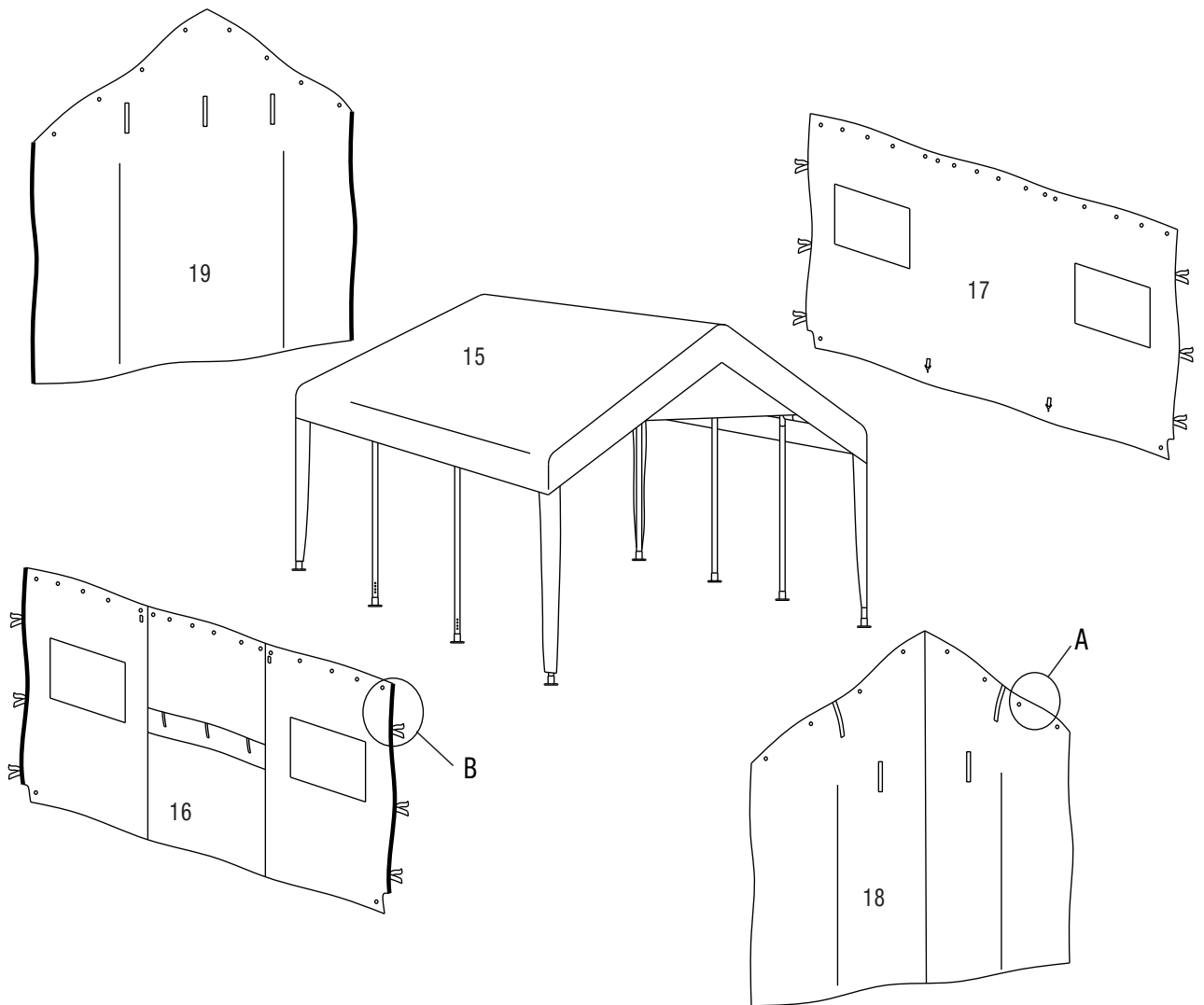
Step 5

- Insert the eight legs into the foot plates and secure with Handle Bolts #13 and M8 Lock Nuts #14.



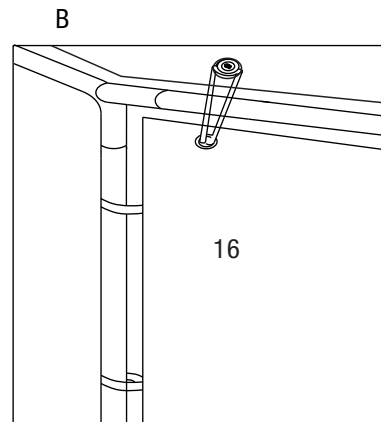
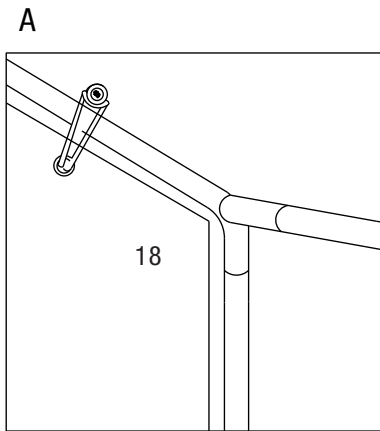
Step 6

- Door Panel and Side Panel Assembly.
- There are two door panels(one front panel and one back panel) and two side panels(one with zippers and one without) in total. Side panel with zippers should be assembled to the side with Post Tube #4.

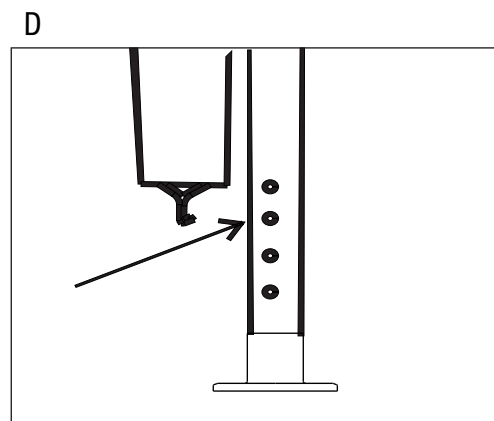
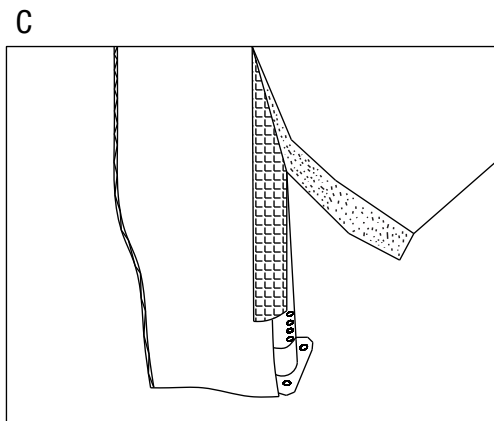


ASSEMBLY

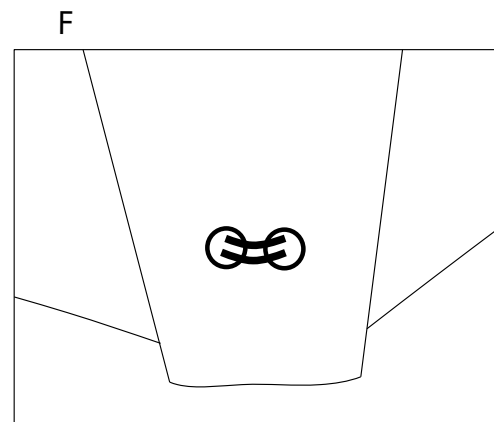
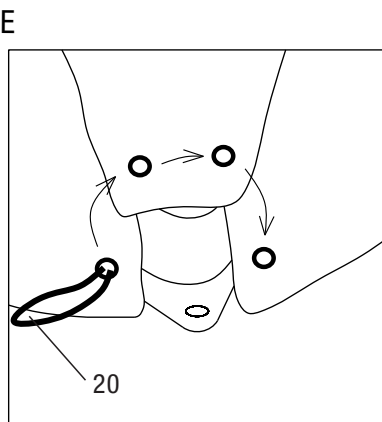
- A) Attach the Door Panels to the inclined Bars of the rear frame with Ball Tie Downs as shown in Diagram A. Insert the ball tie down into the eyelet and wrap the cord around the tube, then hook it over the ball.
- B) Attach the side panels to the horizontal tube with ball tie downs. Secure the side panels to the four corner legs with the hook and loop fasteners attached to the side panels.



- C) Secure adjacent panels with hook and loop fasteners on edge of each panel.
- D) Insert the hooks of the leg skirts into the pre-drilled holes at the bottom of each post tube.

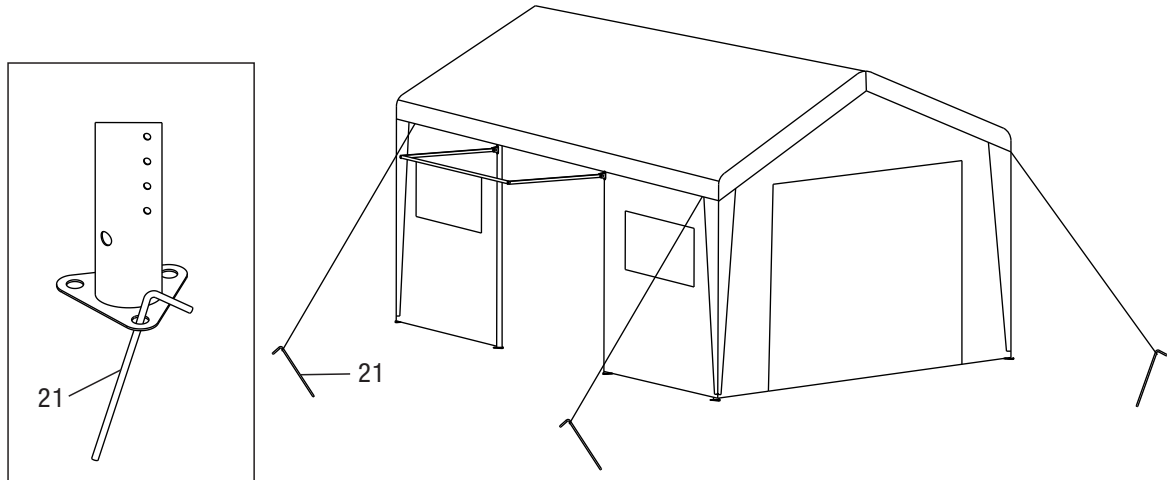


- E) Insert the ball tie down through the grommet in the end panel, the grommets of the leg skirt, and the grommet in the side panel one by one and stretch the cord around the tube and then hook it over the ball.

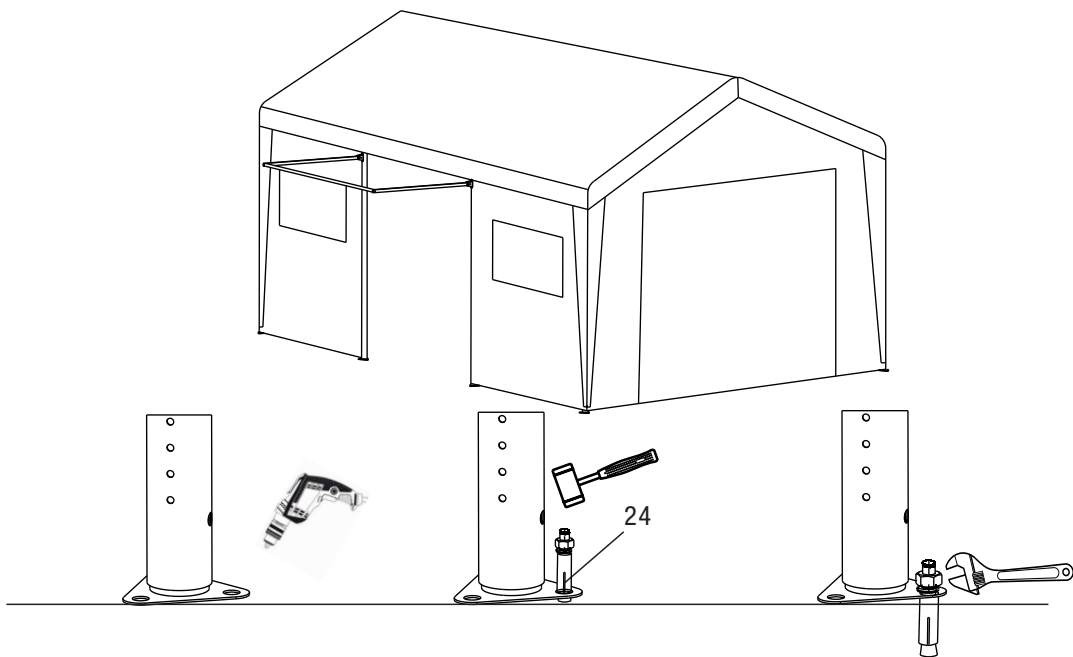


Step 7

- Anchoring the canopy.
There are two ways provided to anchor this canopy to the ground.
- Option 1 Assemble the canopy on grass or dirt.
Secure the canopy to the ground by inserting 8 ground stakes #21 through each foot plate. Then tie the nylon rope to each corner of the canopy and secure to the 4 remaining ground stakes.

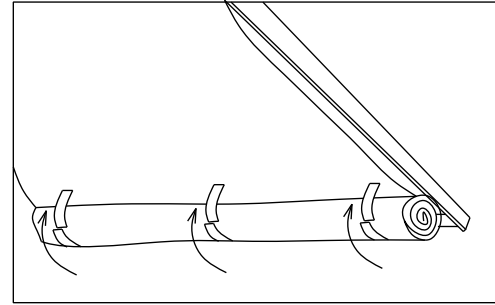
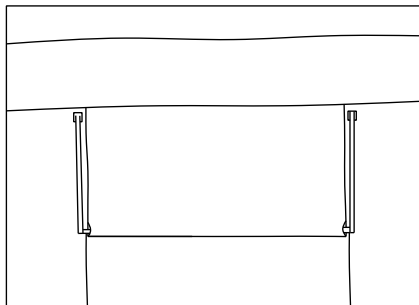
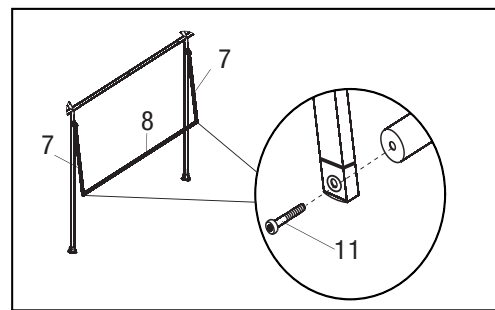
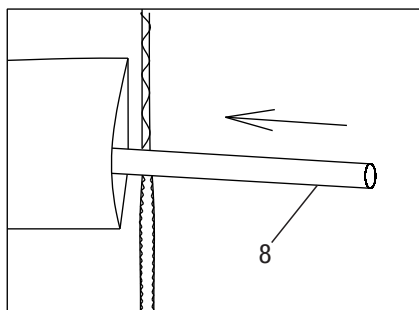
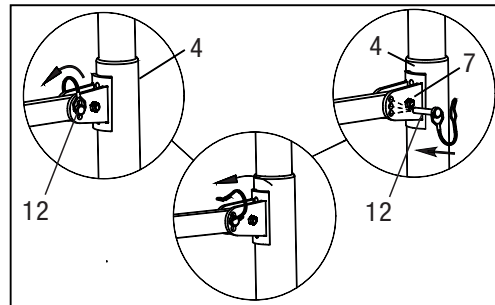
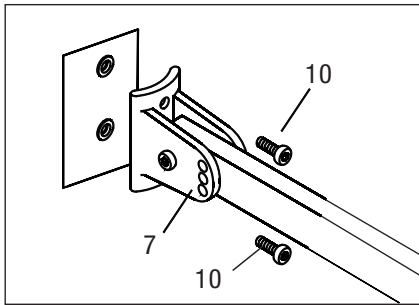
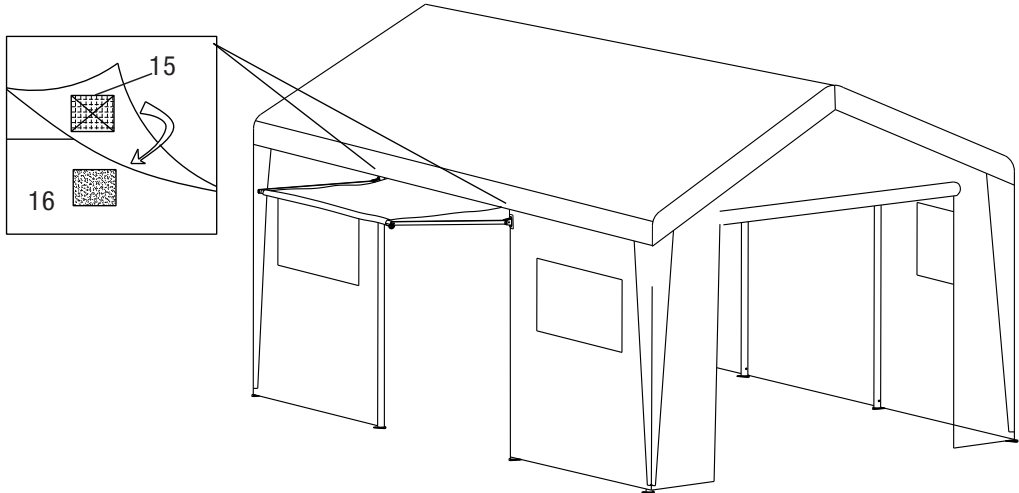


- Option 2 Assemble the canopy on concrete.
A drill, 1/2" drill bit and adjustable wrench(not included) are needed for this option. Secure the canopy to the concrete surface using the 8 expansion bolts #24.
Mark the location on each foot plate where you will need to drill into the concrete. Move the foot plate then drill a hole the same length as the expansion bolts.
Replace the foot plate and secure with the expansion bolts.



Step 8

- Assemble the side panel door support.
- Attach the Awning Arms #7 to the Post Tubes #4 with M6X16 Bolts #10 by Allen Wrench #23
Thread the Awning Front Girder #8 through sleeve of the side panel and attach each end of the Girder to the other end of Awning Arms #7 with M6X30 Bolts #11 by Allen Wrench #23. Raise the Awning Arms to the position you want and fixed with Pin #12. The height of the door can be adjusted through the different holes.
- Connect fabric fasteners on the roof #15 with the fabric fasteners on the side panels.



IMPORTANT NOTICE: PLEASE READ CAREFULLY

PRECAUTIONS WHICH MUST BE FOLLOWED:

Keep all flame and heat sources away from this tent fabric. The tent fabric will burn if left in continuous contact with any flame source.

DO NOT cook underneath or near canopy.

DO NOT store or use flammable liquids underneath or near canopy.

DO NOT ignite or store fireworks underneath or near canopy.

DO NOT use bleach to clean cover.

DO NOT dry clean cover.

DO NOT wash cover in washing machine or dry in dryer. Hand wash with mild soap and water only.

DO NOT allow rain water, snow or ice to accumulate on top of cover.

DO NOT hang or suspend anything from the frame, grommets, truss system or ball straps of the unit.

REMOVE canopy cover before a storm, or disassemble entire canopy unit if possible.

REMOVE rain water, snow and ice from canopy cover.

This is a temporary structure and is not recommended for use as a permanent structure.

Maintenance & Care:

Keep the cover on your shelter tight- doing so will reinforce the cover and give it longer life and performance. A loose cover can cause the fabric to deteriorate quickly. Immediately remove any ice or snow from the roof with a broom or mop, and use extreme caution.

Always remove from outside the structure, and do not use hard-edge or sharp tools, such as rakes or shovels- they could puncture the cover. Do not use bleach or abrasive products to clean the cover- you can easily clean your cover with mild soap and warm water.

Warranty:

This shelter has a 12-month limited warranty against defects or damage that may have been caused in shipment. Weatherfast grants the original purchaser who has properly used, installed, and maintained their shelter free replacements parts, including cover, end panels, or framework pieces, for a period of 12 months after the original purchase date. All warranties must have the original valid receipt- no registration is required to fulfill your warranty if necessary.

Customer Service:

For questions, concerns, or to request replacement parts for warranties, please contact our Customer Service line at (877) 898-3958.